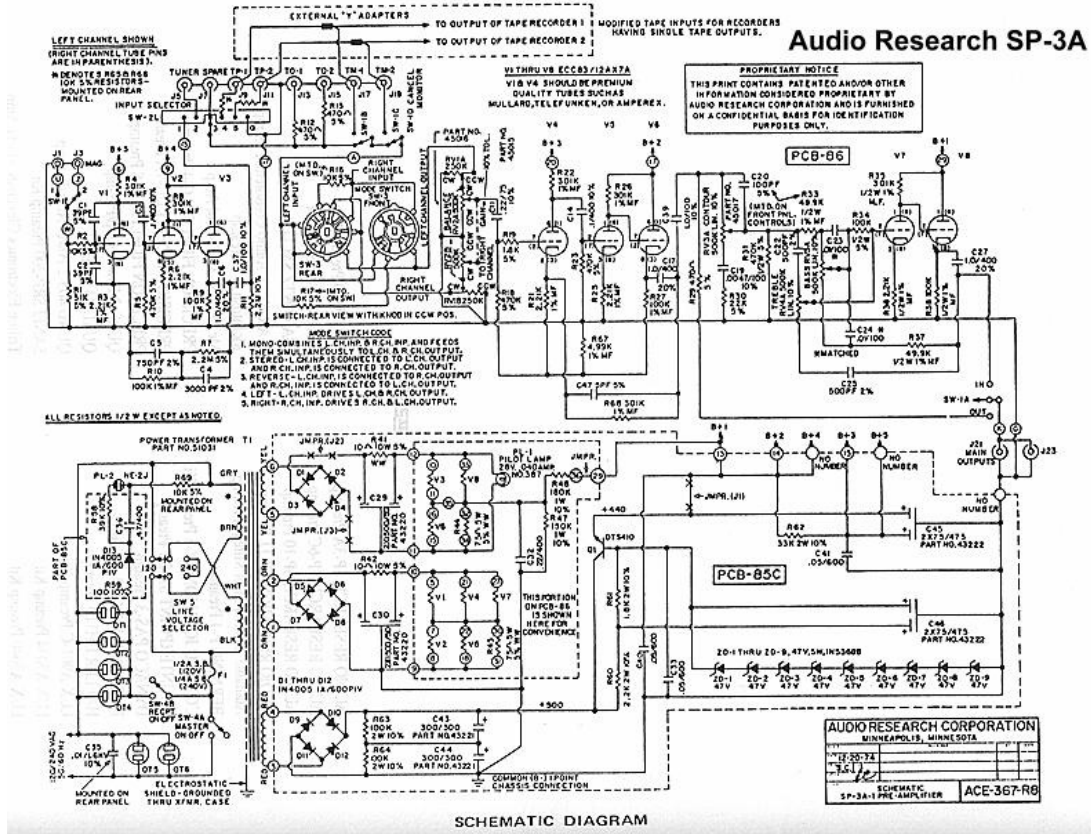
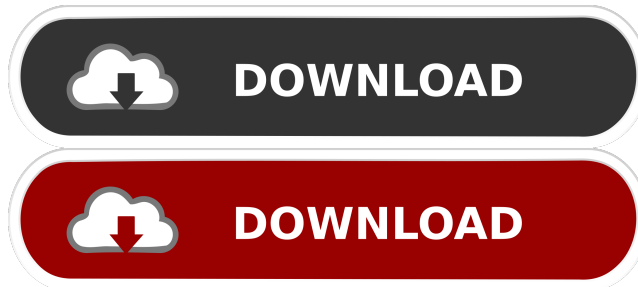


# Marshall-jcm-900-mkiii-schematic



DOWNLOAD: <https://tinurli.com/29476m>



7c23cce9bc

---

Related links:

[Cambridge Advanced Learner amp: 39;s Dictionary 4th Editio giorno arrotino guer](#)  
[download AutoCAD LT 2017 crack](#)  
[Vidhwa Maa Ki Chudai In Gujarati](#)  
[Via Darjeeling 1 Full Movie In Hindi Watch Online Free Hd](#)  
[pc tools performance toolkit 2.1.0 keygen generator](#)